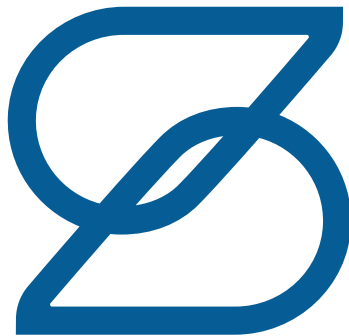


Live for freedom



SEEWIN



Installation Manual

SL/SF Wall-hung smart toilet bidet

**Spirit Series**

## Catalog


Precautions before installation .....	1
Safety Precautions .....	1
Applicable products .....	3
Product size drawing - Liberty .....	4
Product size drawing - Freedom .....	5
Schematic diagram of water tank structure embedded in wall .....	6
Required accessories for the wall - mounted bracket .....	7
Tools required for installation .....	7
Hole in the wall dimensions for installation .....	7
The initial state of installation .....	8
The complete result of installation .....	8
<b>Installation steps</b> .....	9
1. To install water hose .....	9
2. Joint the wires to the quick connector .....	9
3. Installation process .....	11
4. Joint the water hose and connectors .....	15


## ■ Precautions before installation


1. Please read manual and safety instruction carefully, use this installation manual as the basis for installation.
2. Regarding the appearance, please refer to the physical goods.
3. Product Voltage/Frequency: AC230V~/50Hz.
4. According to the length of the power cord in the user manual, the power outlet should be installed at a location close to the product.
5. The range of using water pressure is 0.07-0.75MPa, the inlet water temperature is 4-35°C, please use according to the instructions.
6. Before installation, be sure to open the angle valve to drain to clean up impurities and sludge in the water pipe, to avoid the block and affect the function of the product.
7. Do not remove the electrostatic film on the product during installation, to avoid scratch the surface of the product.
8. After the product is installed, first water supply and then connect the power supply.
9. This product has been done the draining test before it leaves the factory. There may be a small amount of residual water droplets flowing out before the product is taken out, which is a normal site.


## ■ Safety Precautions

- In order to prevent damage to users and others and damage to property, the items that must be observed are explained in the following contents. If the contents are ignored and used incorrectly, the damage and the degree of damage caused are classified as follows.

 WARNING	Express that you will be dead or seriously injured if not avoid the dangerous situation
--	---

	It's forbidden
---	----------------

	Be sure to implement the "mandatory" content
---	--

 CAUTION	Express that it may cause personal injury or property damage if you ignore the sign and misoperate.
--	---



 **WARNING**



- The power plug should be fully inserted. If it is not fully inserted, it may cause electric shock or fire due to heat generation. Please do not use deformed plugs, loose sockets.
- The parts for installation must use the attached parts or the designated parts. Failure to use the designated parts may cause water leakage, flood damage, and electric shock.
- Circuit construction should comply with indoor wiring regulations, otherwise it will cause fire and electric shock.
- Do not install the product in a damp place, otherwise it may cause fire or electric shock.
- Do not replace the power cord by yourself, otherwise it will cause fire and electric shock. If you need to replace the power cord, please contact your local supplier or call the service hotline. Only technicians with local qualifications or authorized by our company can replace the power cord.



- Do not use damaged power cords or power plugs, which may cause electric shock, short circuit, and fire.
- Do not throw cigarettes and other combustibles and inflammables into or near the product, it may cause electric shock and fire.
- Do not use industrial water, circulating water, seawater or waste water as water sources, please use water sources that meet the hygiene standards for living and drinking.

 **CAUTION**

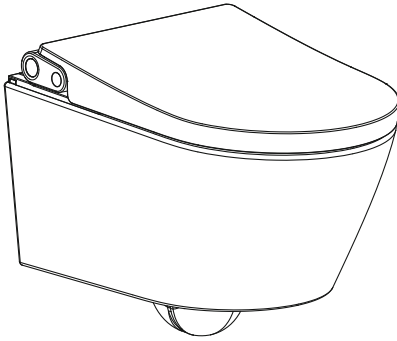


- The installation of water pipes should be carried out in accordance with the provisions of the city where they are located. Failure to follow the regulations will cause safety hazards.
- Be sure to use the water inlet hose assembly included with this machine.
- When moving or installing, you should hold the main body. If you only hold the upper cover and the seat ring, the upper cover and the seat ring may be separated from the main body and cause injury.



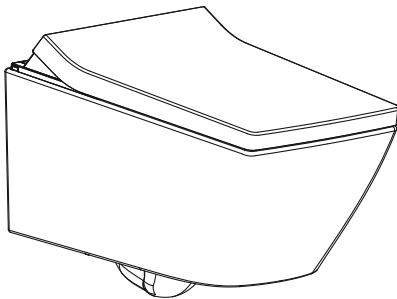
■ **This manual is applicable to the following products**

**Liberty**



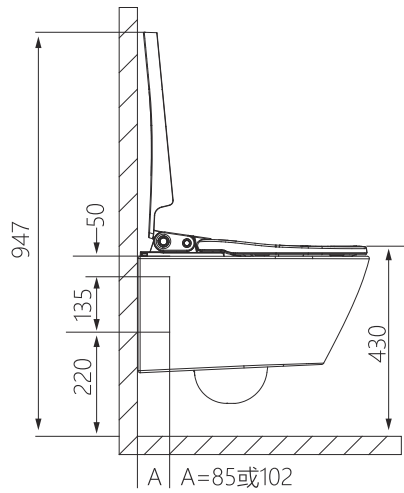
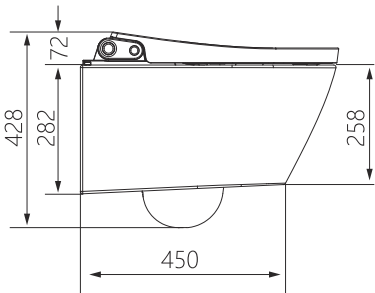
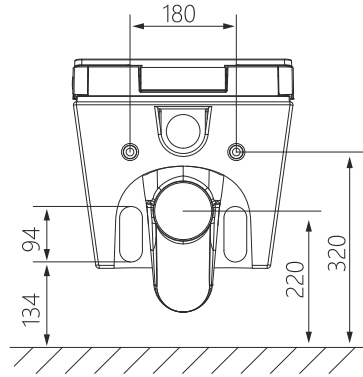
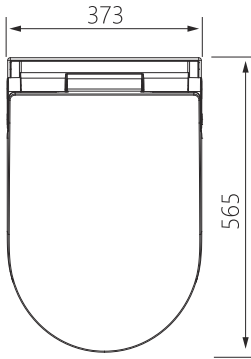
---

**Freedom**



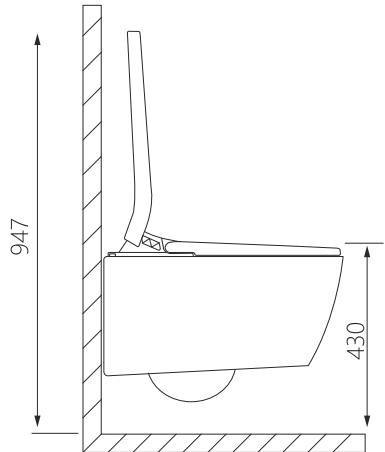
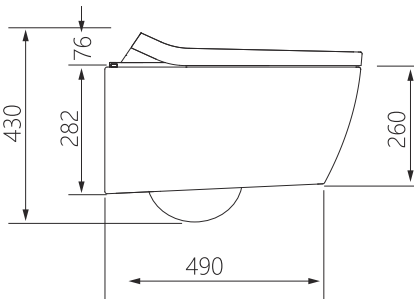
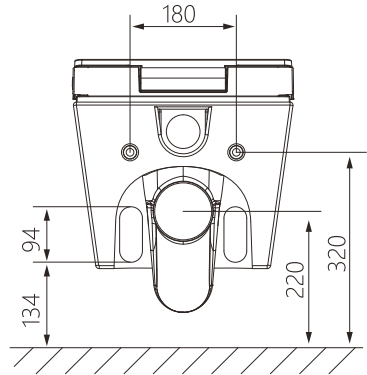
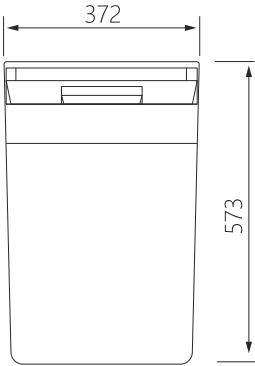
■ **Product size drawing**  
(Measuring:mm)

**Liberty**

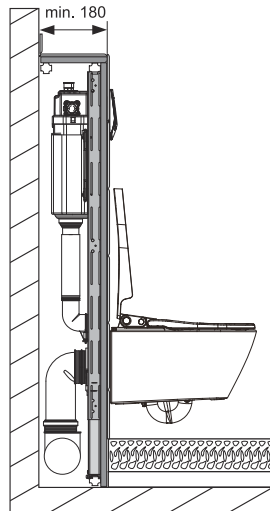
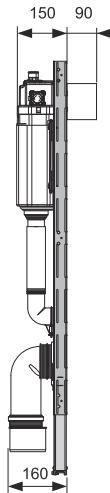
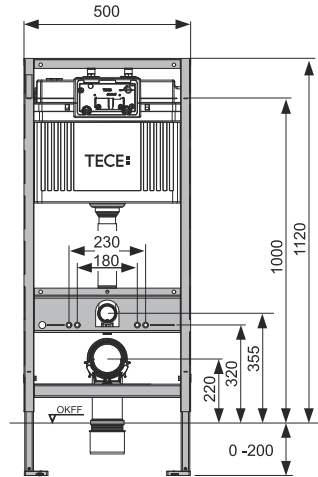
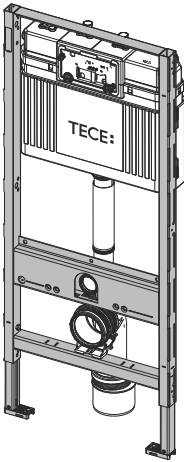


■ **Product size drawing**  
(Measuring:mm)

**Freedom**

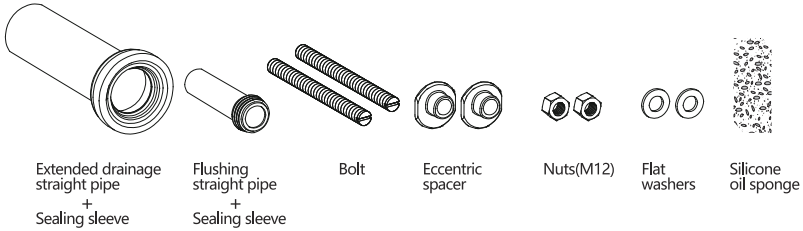


■ Schematic diagram of water tank structure embedded in wall



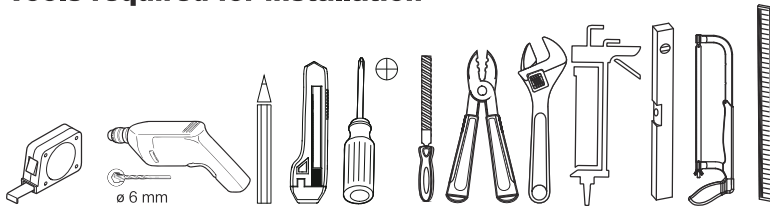


## Required accessories for the wall-mounted bracket

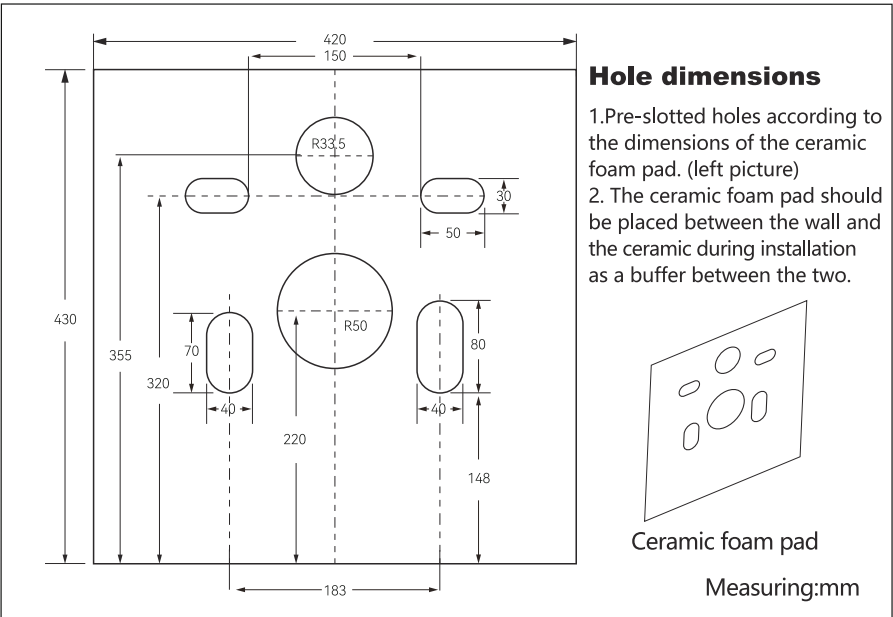


- Please do not lose the above accessories in the TECE water tank package.

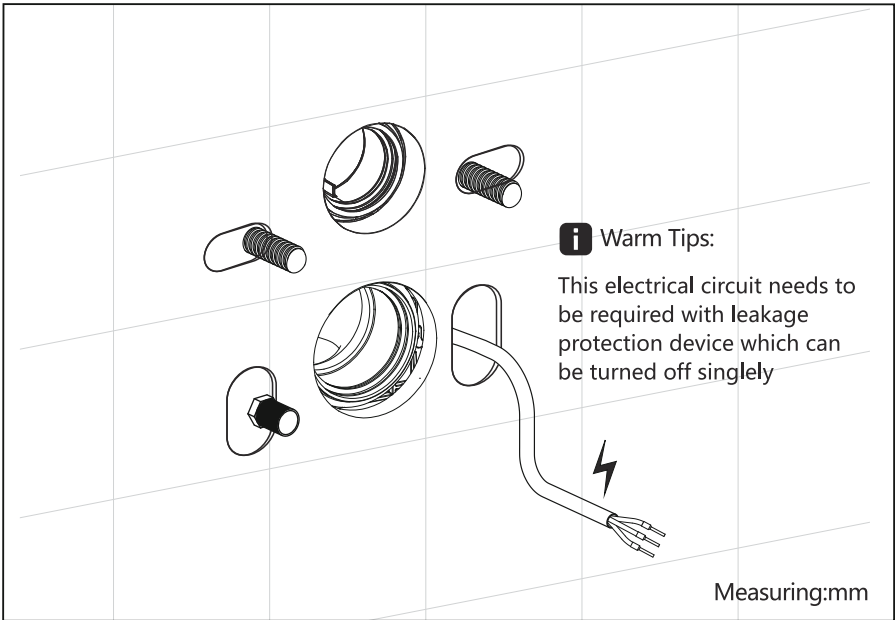
## Tools required for installation



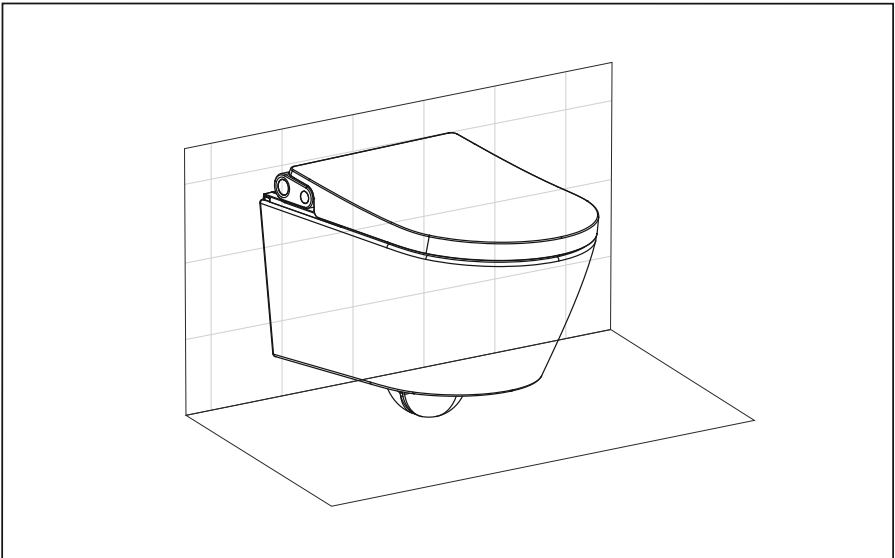
## Hole in the wall dimensions for installation



## ■ The initial state of installation



## ■ The complete result of installation

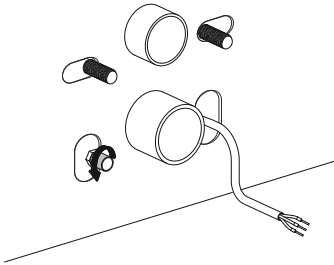


**Installation steps**

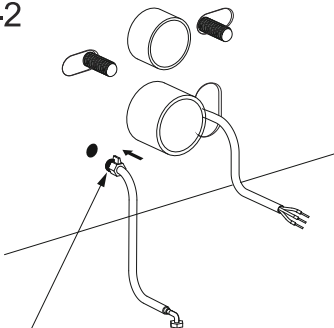
**1**

**To install water hose**

1-1

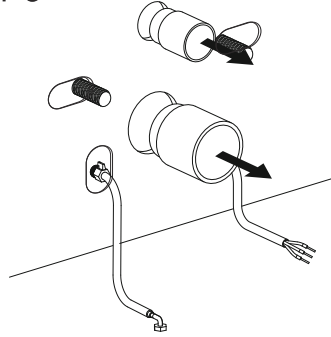


1-2

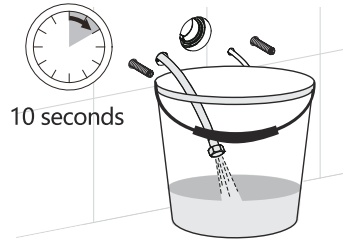


Wrap around the Teflon Tape clockwise and connect the water hose.

1-3



1-4

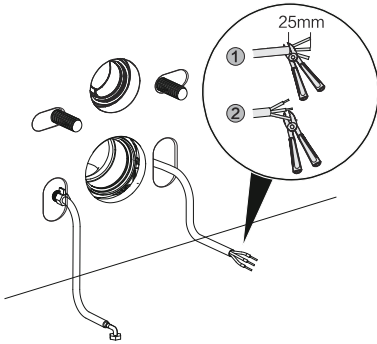


**2**

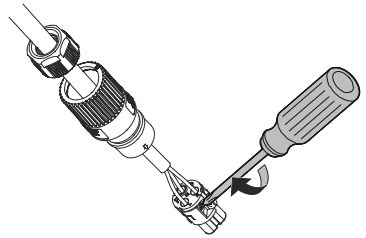
**Joint the wires to the quick connector**



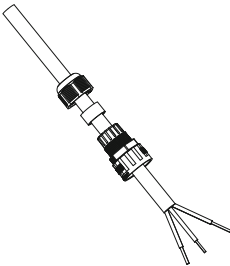
2-1



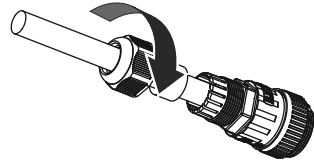
2-4



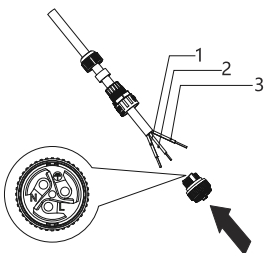
2-2



2-5

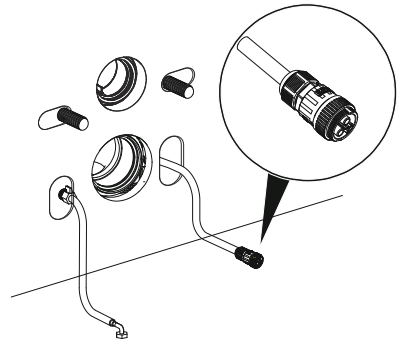


2-3



1. Blue line corresponds to connector "N"
2. Yellow and green line corresponds to connector "⊕"
3. Brown line corresponds to connector "L"

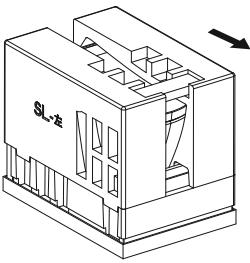
2-6



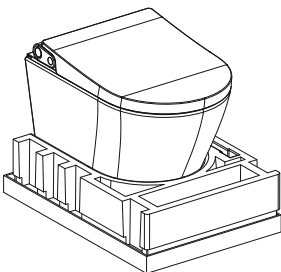
3

Installation Process

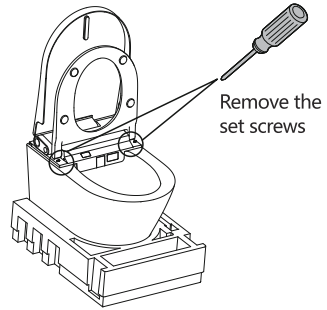
3-1



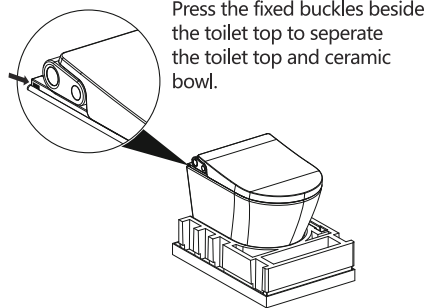
3-2



3-3

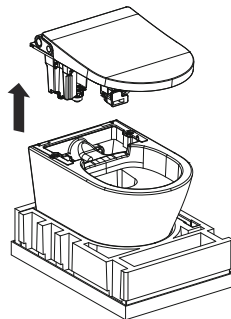


3-4

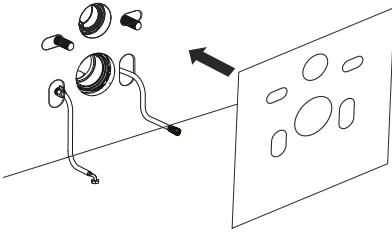


3-5

Separate the toilet top and ceramic bowl

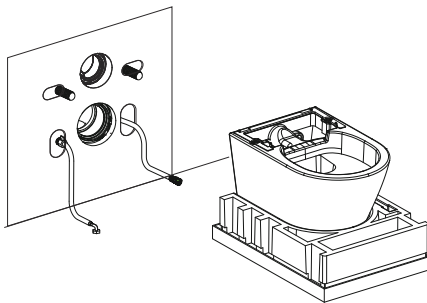


3-6

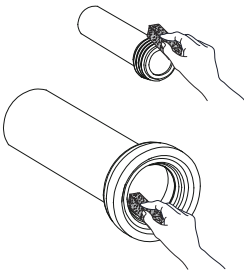


Align the hole position and install the ceramic foam pad

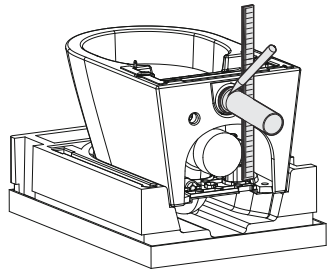
3-7



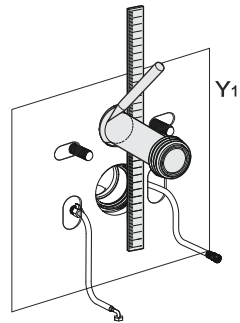
3-8



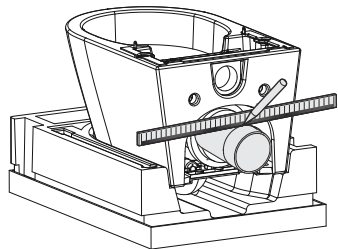
3-9



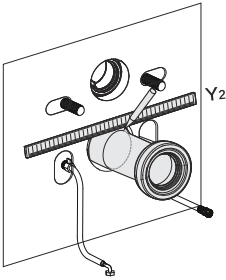
3-10



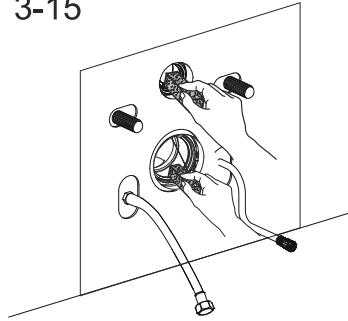
3-11



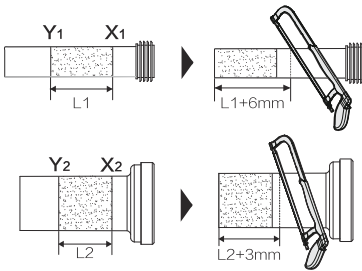
3-12



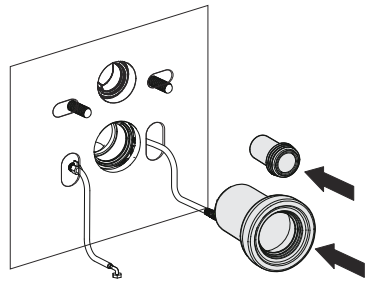
3-15



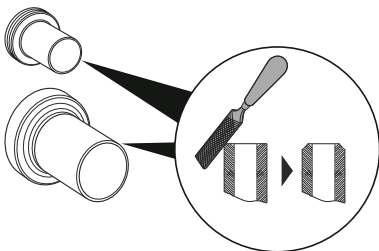
3-13



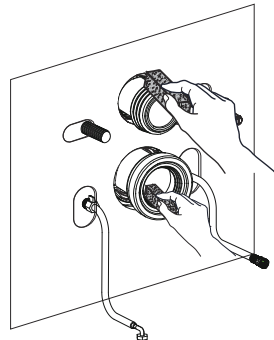
3-16



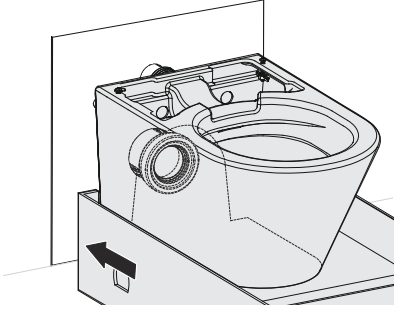
3-14



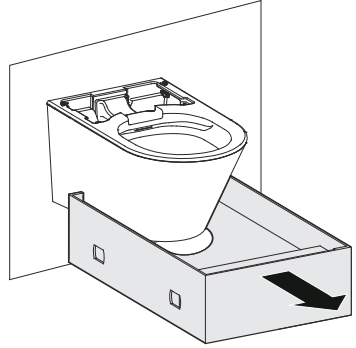
3-17



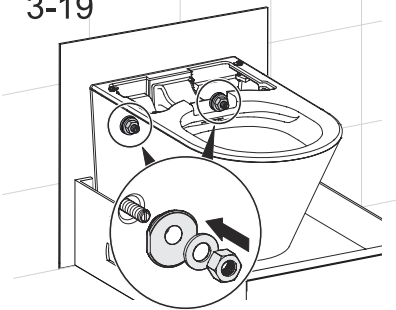
3-18



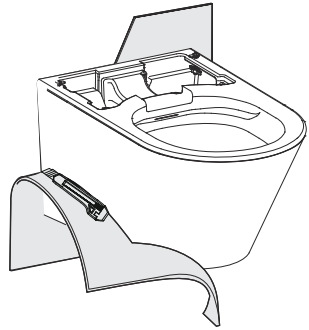
3-21



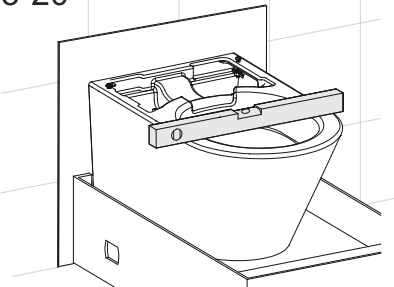
3-19



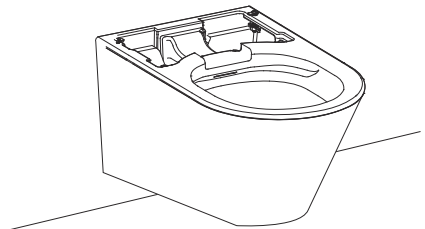
3-22



3-20



3-23



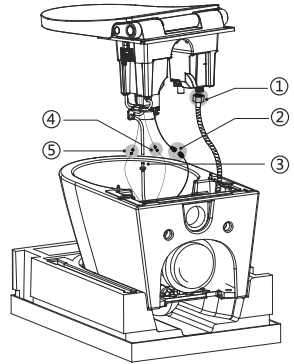


4

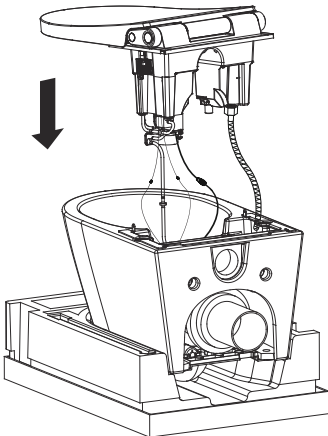
**Joint the water hose and connectors**

4-1

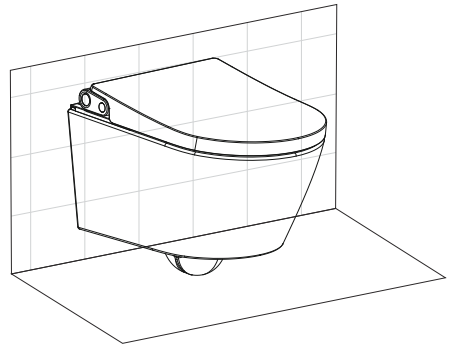
1. Joint the water hose.
2. Joint the 230V~ quick connector.
3. Joint the liquid inlet pipe.
4. Joint the connector of baseplate.
5. Joint the connector of the flush panel.



4-2



4-3





**Seewin Technology (Zhejiang) Co.,Ltd.**

Area A, Building 2, No. 1469, Jingsi Road,  
Taizhouwan New Zone, Taizhou,  
Zhejiang, 318000, China

[www.china-seewin.com](http://www.china-seewin.com)